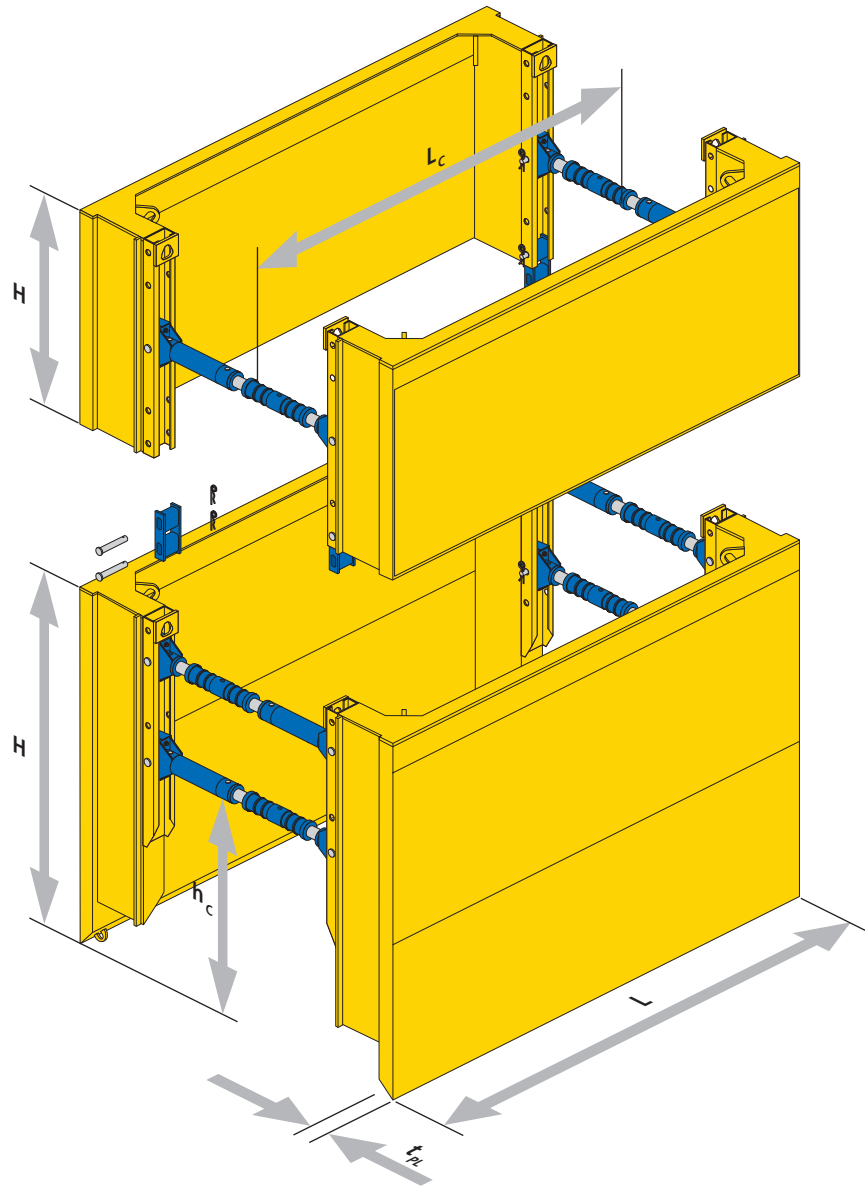


MANHOLE BOX

Series 600



Plates $t_{pL} = 107\text{mm}$

Plate length L [m]	Plate height H [m]	Pipe clearance length L_c [m]	Pipe clearance height h_c [m]	Permissible earth pressure [kN/m ²]	Weight per box [kg]
2.50	2.50	2.10	1.69	50.1	2350
	1.50				1620
3.00	2.50	2.60	1.69	41.8	2590
	1.50				1780
3.00	2.50	3.10	1.69	35.8	2825
	1.50				1940
3.50	2.50	3.60	1.69	31.3	3060
	1.50				2095